

AG-DSH / AG-DSV

Position indicator for elevators,
Binary / Gray coding type



Features

- Two digits 7 Segment LED indicator
- No service, up and down direction arrows
- Binary / Gray inputs
- Positive or Negative common signalling
- 9-30 VDC operating range
- User programmable floor designations
- Thin profile, suitable for surface mounted
- Various color options for LED's
- Micro-controller operated
- High impact resistive polycarbonate cover glass

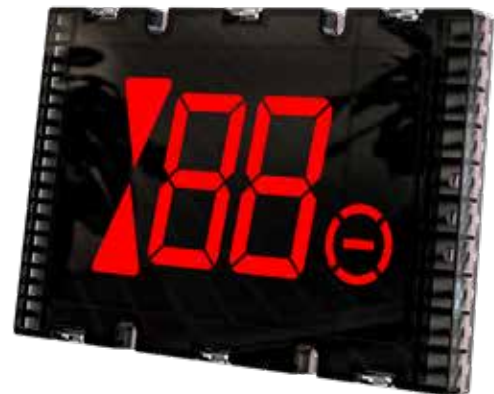
AG-DSV



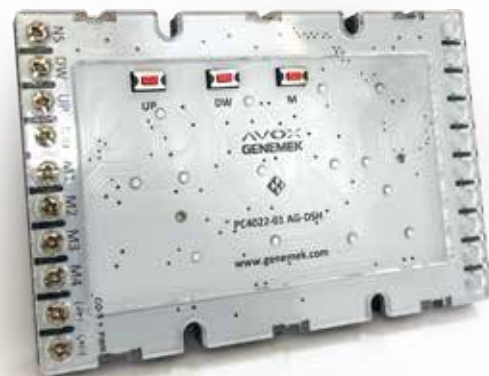
Description

AG-DSH / AG-DSV series are microcontroller operated position indicators for elevators. It accepts binary / gray coded decimal numbers and converts to 7 segment mapped position indications.

Positive or negative input polarity can be adjusted without in need of dipswitches or jumpers by swapping power inputs. Configuration of inputs and floor designations can be adjusted by on-board buttons. Electrical connection are made by screw/nuts type terminals.



AG-DSH



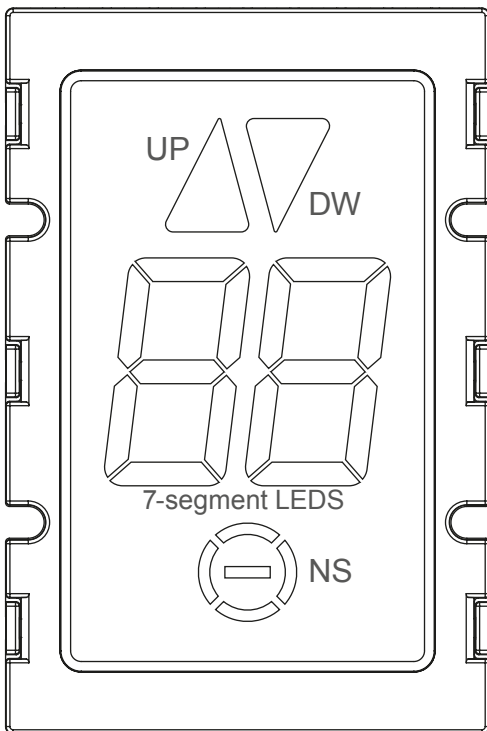
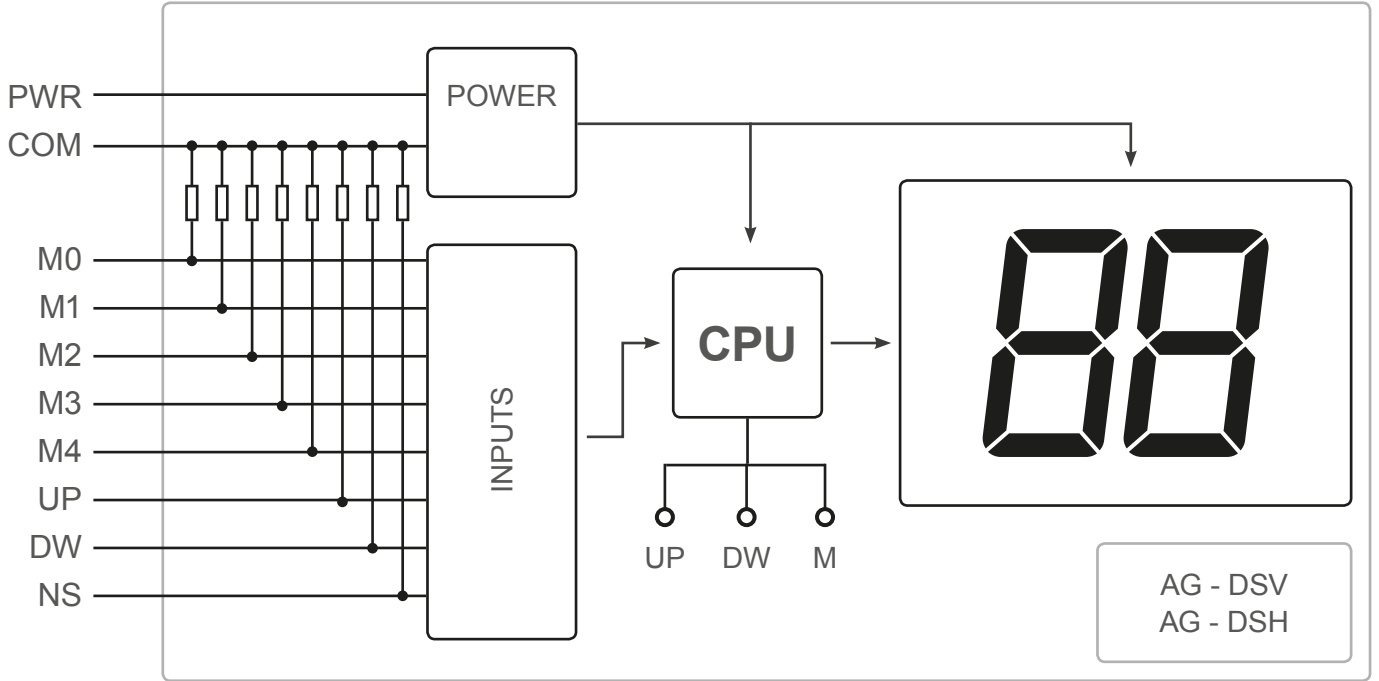


AG-DSH / AG-DSV

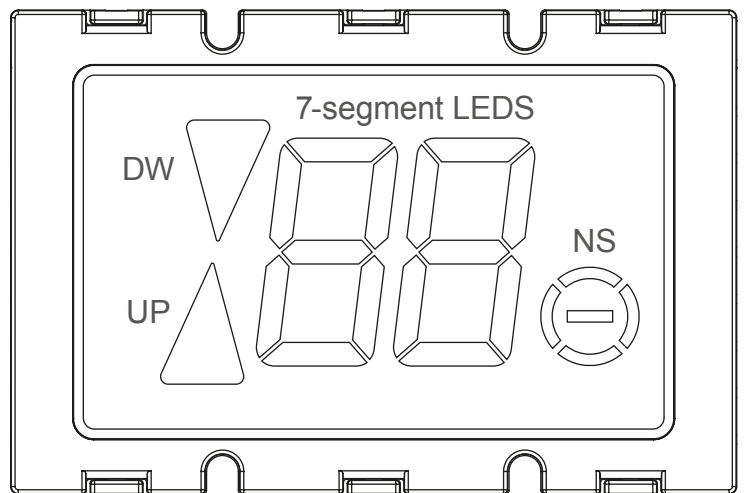
Position indicator for elevators,
Binary / Gray coding type



System Block Diagram



AG-DSV



AG-DSH



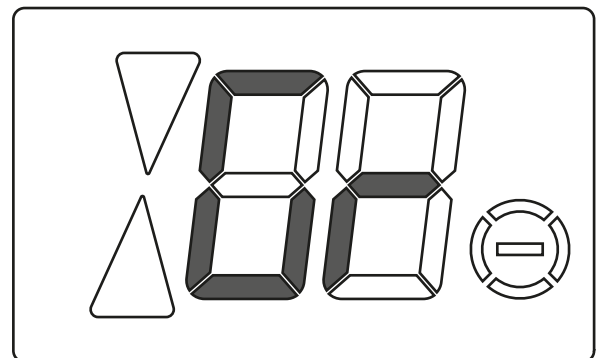
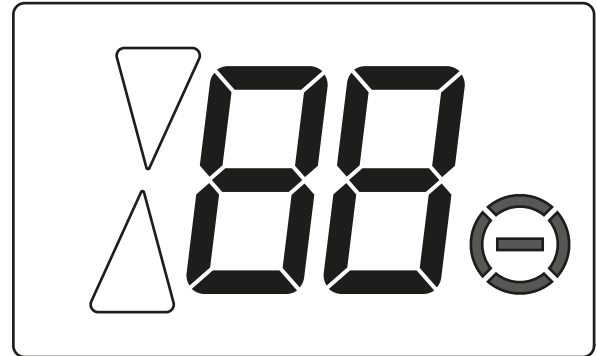
AG-DSH / AG-DSV

Position indicator for elevators,
Binary / Gray coding type

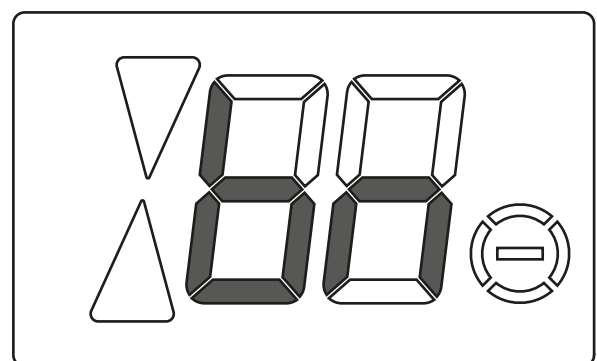


AG-DSH menu

1. To enter menu, press and hold M button on the backside of the indicator. Once entered, the 'No Service' symbol will be blinking together with the number/symbol LEDs
2. You will see 'Gr' or 'bn' symbols blinking, which corresponds to Gray or Binary coding. To choose one, press 'UP' or 'DW' buttons.
3. After choosing coding type, press 'M' button once to go to the menu's next step. Here, choose the number for the lowest landing. It may vary from -9 to 6. Press and hold 'M' button to save and exit.
4. To change symbol for a certain indicator on a certain landing, press and hold 'UP' or 'DW' button on the backside of the indicator. Once entered this menu, up and down arrows will be blinking together with the number/symbol LEDs.
5. By pressing 'UP' or 'DW' make selection of necessary number or letter symbol. By pressing 'M' you will switch between right and left symbols. Press and hold 'M' button to save and exit.
6. If no button pressed while in menu for over 5 seconds device will exit menu automatically, no changes will apply.



GRAY



BINARY